

# Panasonic

## WhisperRecessed LED™ VENTILATION FAN

FV-08VRE1



FV-08VRE1

- ENERGY STAR rated architectural grade recessed fan/LED light
- Quiet, energy efficient and powerful 80 CFM ventilation hidden above the ceiling
- Includes (1) replaceable 14W, ENERGY STAR rated, GU24 base LED lamp
- Beautiful lighting with 6-1/2" aperture and advanced luminaire design
- LED lamp is dimmable
- Adjustable lamp positioning and deeper regression reduces glare

### ADDITIONAL BENEFITS

- Can be used to comply with ASHRAE 62.2, LEED, CalGreen\* and CA Title 24
- Integrated 4" or 6" duct adapter
- UL listed for tub/shower enclosure when used with a GFCI protected circuit
- IC rated
- 5-year warranty on LED, 3-years on parts

\*Can be used to comply with CalGreen when controlled by the Panasonic Condensation Sensor.



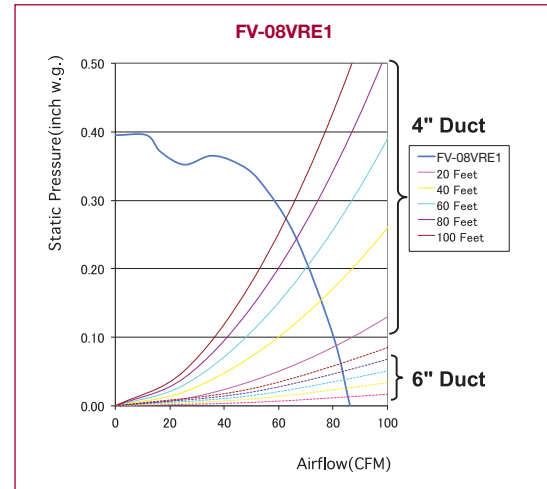
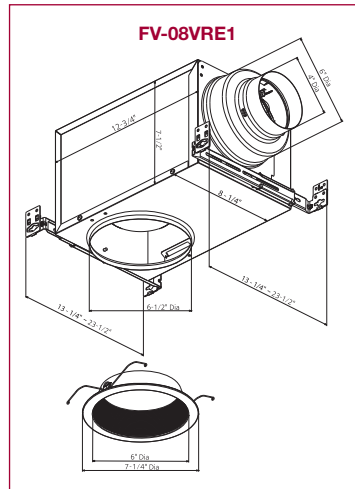
★★★★★ 5 YEARS IN A ROW

# The Design Solution for Bathroom Fan/LED Light Combinations

## WhisperRecessed LED™ VENTILATION FAN



FV-08VRE1



### New Lighted Model!

INCLUDED: One 14-Watt GU24 base LED lamp/ 3000 Kelvin/>80 CRI/ 575 Lumens/50 LPW/ ENERGY STAR® qualified/ 25,000 hours rated average life.

	WhisperRecessed LED	FV-08VRE1	
Characteristics (HVI tested data for 0.1" S.P.)	Static Pressure in inches w.g.	0.1	<b>0.25</b>
	Air Volume (CFM)	80	66
	Noise (sones)	0.8	0.7
	Power Consumption (watts)	20.5	19.5
	Energy Efficiency (CFM/Watt)	4.0	3.4
	Speed (RPM)	1378	1501
	Current (amps)	0.17	0.17
	MAX. Current(amps)	0.19	
	Power Rating (V/Hz)	120/60	
	Specifications	Motor Type	AC
Type of Motor Bearing		Ball	
Thermal Fuse Protection		Yes	
Blower Wheel Type		Sirocco	
ENERGY STAR Qualified		Yes	
Installation	Duct Diameter (Inches)	4" or 6"	
	Housing Collar Opening (Inches)	6-1/2" Round	
	Trim Outer Diameter (Inches)	7-1/4" Round	
Light Specifications	Lamp Watts	1 x 14	
	Lumens (lm)	575lm	
	Lumens Per Watt (LPW)	50LPW*	
	Color Rendering Index	>80	
	Color Temperature (Kelvin)	3000K	
	Rated Life (hours)	25,000	
	Lamp Model #	LPHT14D	
Shipping	Type of Lamp Socket	GU24	
	Gross Weight (lbs)	10.8	
Approved Code/Standard/Regulation	UL tub/Shower Enclosure	Yes	
	CalGreen	Yes**	
	Washington VIAQ Code	Yes	
	California Title 24 Compliant	Yes	
	Mfg in ISO 9001 Certified Facility	Yes	

\*As tested by an EPA recognized lab \*\*Can be used to comply with CalGreen when controlled by the Panasonic Condensation Sensor.  
NOTE: 0.25" w.g. = Installed Performance



**Panasonic Eco Solutions of North America**  
**Eco Products Division**  
Two Riverfront Plaza  
Newark, NJ 07102  
[us.panasonic.com/ventfans](http://us.panasonic.com/ventfans)

**For Order Information**  
PHONE: 866-292-7299  
FAX: 888-553-0723  
[ventfans@us.panasonic.com](mailto:ventfans@us.panasonic.com)