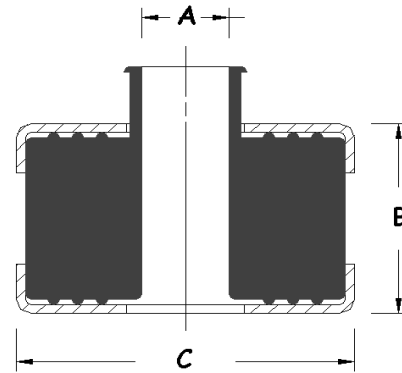


VIBRATION MANAGEMENT CORPORATION

3532-A EAST TC JESTER , BROOKWOOD BUSINESS PARK , HOUSTON , TEXAS 77018 , U.S.A

INTERNET ADDRESS: www.vimco.biz

ISOLATOR MODEL	MAX. LOAD (lbs)	ISOLATOR DIMENSIONS (inches)		
		A	B	C
AVHM-50	110	0.43	0.73	1.28
AVHM-100	220	0.43	1.02	1.67



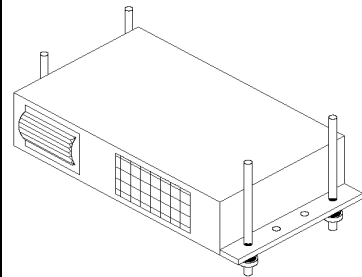
NOTES

1. Nuts, washer & rods by others.
2. Order by part no.:

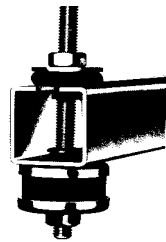
AVHM-xxx = complete mount
AVHME-xxx = element only
AVHMTc-xxx = top cup only
AVHMBc-xxx = bottom cup only

APPLICATIONS:

Direct on unit



On channel / strut



CONSTRUCTION:	Elastomer (neoprene+rubber) element between 2 load distribution plates.
SPECIAL FEATURE:	Elastomer (neoprene+rubber) collar to prevent rod short circuiting.
SOUND LEVEL REDUCTION:	Up to 17 dB (A)
RECOMMENDED USE:	Can be used with threaded rods up to 3/8" (M10) for suspension of pipes, fans, fan coil units etc. AVHME-xxx (element only) can be used for small floor mounted machines like refrigerator, dishwasher etc.

Notes / Remarks :

Project :	
Client :	
Consultant :	
Representative :	

Title : **AVHM**
 Anti-Vibration Hanger Mounts

Drawing no.
S-2300.11

Rev. 2