

VIBRATION MANAGEMENT CORPORATION

3532-A EAST TC JESTER BLVD., BROOKWOOD BUSINESS PARK
HOUSTON, TEXAS 77018, U.S.A.

TEL: +1 (713) 263-8181

FAX: +1 (713) 263-1133

Internet Address

www.vimco.biz

E-MAIL: sales@vimco.biz

New!

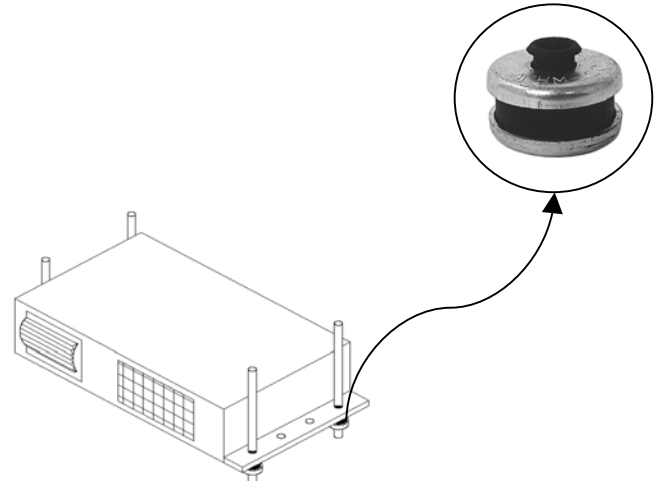
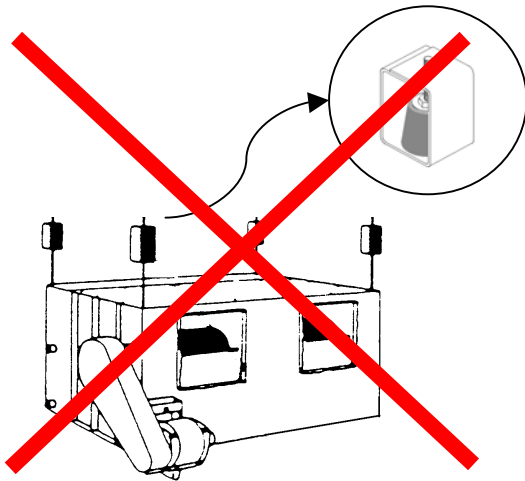
VIMCO™ ANTI VIBRATION HANGER MOUNT (AVHM)



**Looking for an easier way to isolate vibration on
your suspended equipment?**

You will LOVE our AVHM Hanger Mount series

- * Simple single rod installation
- * Compact pocket-size design - available in two sizes
- * Set of 4 supports equipment upto 440 and 880 lbs.
- * Less than 1/4th the cost of traditional neoprene in shear hangers



[Local Representative :](#)

Due to our policy of continual product development and improvement, all information is subject to change without prior notice. Please consult your local rep. for updates.

[Catalog no.](#)

P - 2301
Rev. 0