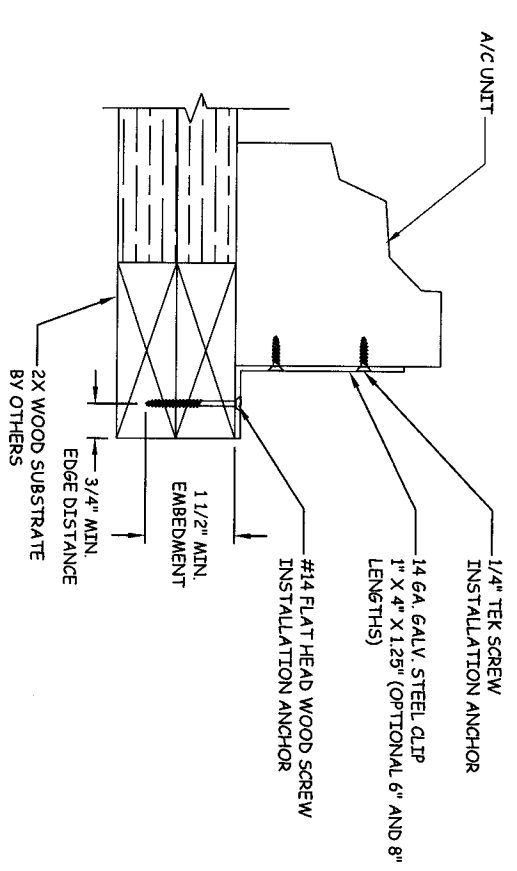
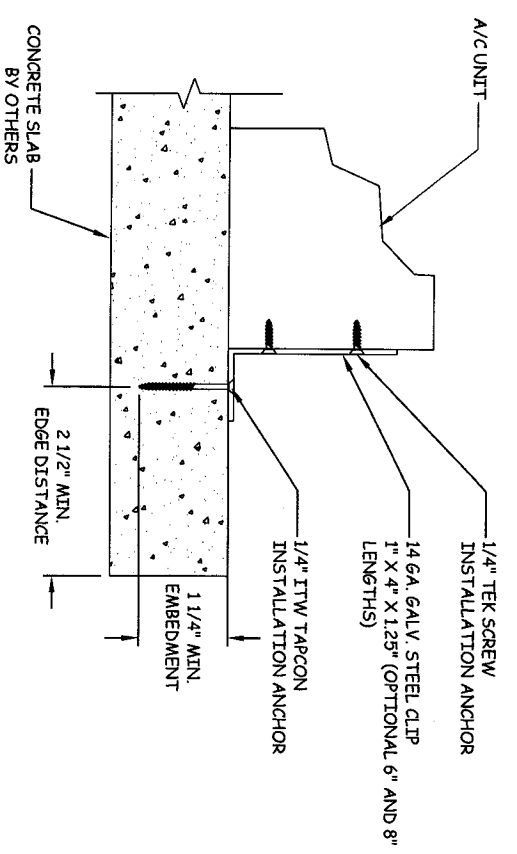


BMP INTERNATIONAL, INC.

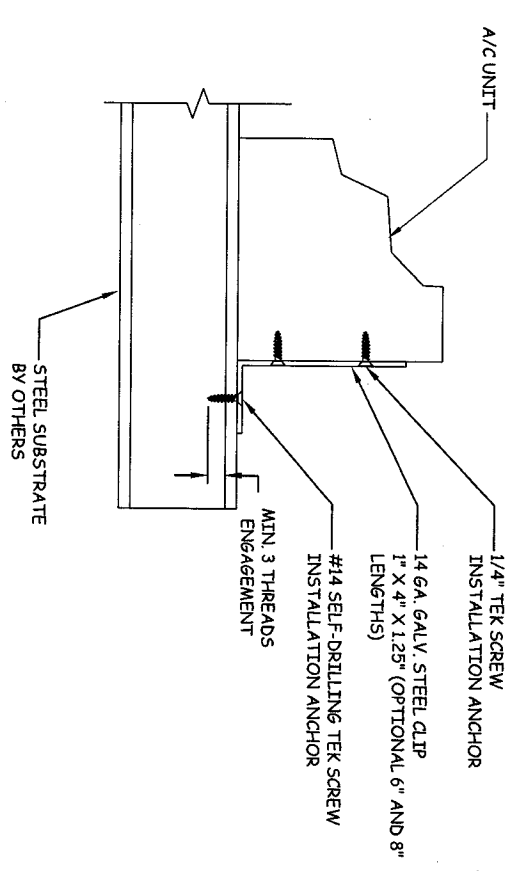
A/C HOLD DOWN CLIP



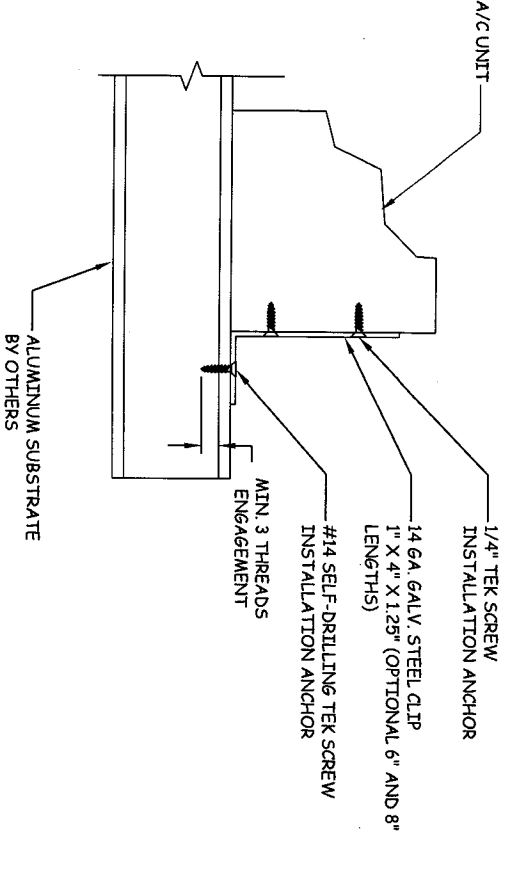
A
1
INSTALLATION DETAIL
2X WOOD BUCK SUBSTRATE



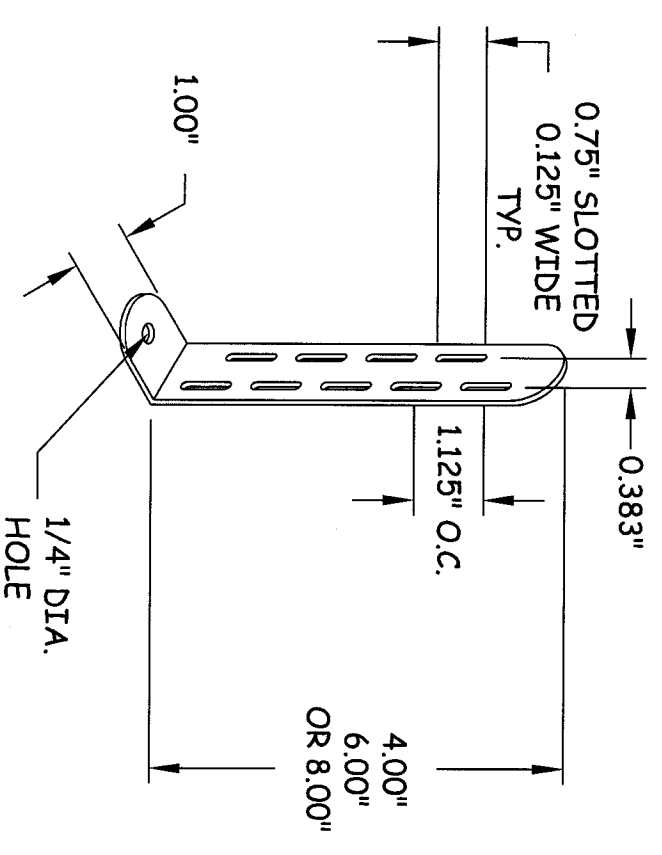
B
1
INSTALLATION DETAIL
CONCRETE SUBSTRATE



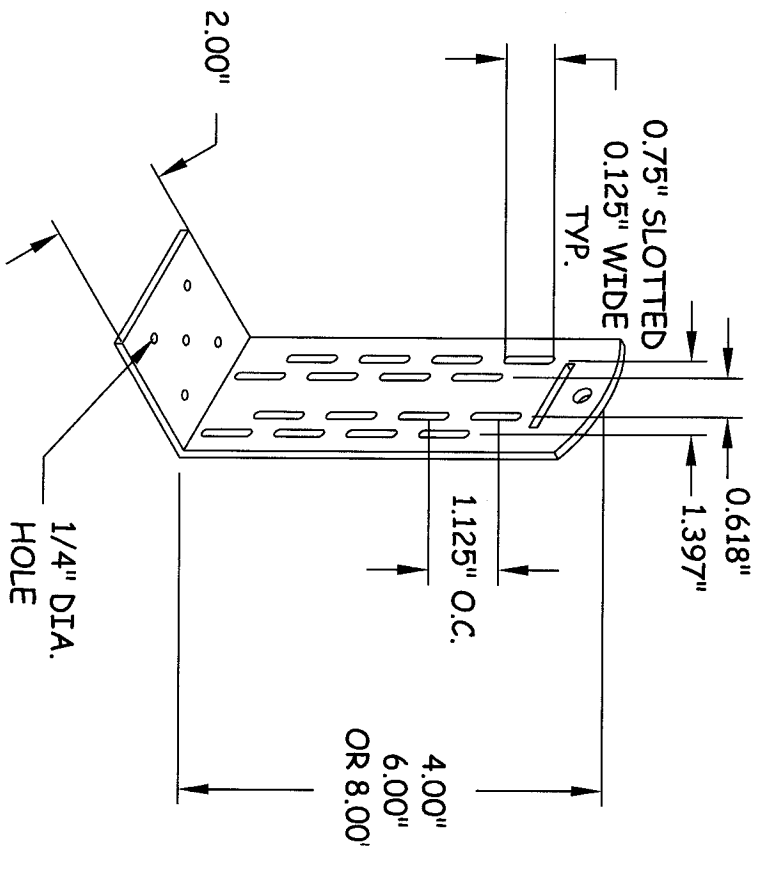
C
1
INSTALLATION DETAIL
STEEL SUBSTRATE



D
1
INSTALLATION DETAIL
ALUMINUM SUBSTRATE



1" CLIP



2" CLIP

BMP INTERNATIONAL, INC.

BMP INTERNATIONAL, INC.
4710 28TH STREET N.
ST. PETERSBURG, FL 33714
PH: 727-458-0544

TITLE:
A/C HOLD DOWN CLIP
INSTALLATION &
GENERAL NOTES

PREPARED BY:
CERTWORKS, LLC
127 W. FAIRBANKS AVE., STE. 438
WINTER PARK, FL 32789
PH: (407) 644-6957 FX: (407) 644-2366

| REVISIONS | | | |
|-----------|-------------|----|------|
| NO. | DESCRIPTION | BY | DATE |
| | | | |
| | | | |
| | | | |

DATE: 06.30.10
DWN BY: JLA
CHK BY: KSD
SCALE: NTS

KRISTINA S. DAUGHERTY
FLORIDA P. E. NO. 68455
127 W. FAIRBANKS AVE., STE. 438
WINTER PARK, FL 32789
FBPE CERT. OF AUTHORIZATION NO. 28520

DWG #: **BMP003**
SHEET: **1 OF 2**

1" CLIP:

| HEIGHT ABOVE GROUND (FT.) | NUMBER OF SCREWS PER CLIP TO HOUSING OF A/C (GALV. 1/4" TEK) | NUMBER OF SCREWS PER CLIP INTO CONCRETE (1/4" X 2" TAPCON) | NUMBER OF SCREWS PER CLIP INTO ALUM. RACK SUPPORT (1/4" X 1 1/4" TEK) |
|---------------------------|--|--|---|
| 0-15 | 3 | 1 | 2* |
| 20 | 3 | 1 | 2* |
| 25 | 3 | 1 | 2* |
| 30 | 3 | 1 | 2* |
| 40 | 3 | 1 | 2* |
| 50 | 3 | 1 | 2* |
| 60 | 3 | 1 | 2* |
| 70 | 2 | 1 | 1 |
| 80 | 2 | 1 | 1 |
| 90 | 2 | 1 | 1 |

* Place additional clips at corners for a total of 8 clips, when using the 1" clip where substrate requires 2 screws per clip. (Alternatively, use the 2" clips to maintain total 4 clips per unit.)

TABLE OF CLIP ATTACHMENT TO SUPPORTING STRUCTURE OR A/C UNIT (155 MPH) - 4 CLIPS PER UNIT

| HEIGHT ABOVE GROUND (FT.) | NUMBER OF SCREWS PER CLIP TO HOUSING OF A/C (GALV. 1/4" TEK) | NUMBER OF SCREWS PER CLIP INTO CONCRETE (1/4" X 2" TAPCON) | NUMBER OF SCREWS PER CLIP INTO ALUM. RACK SUPPORT (1/4" X 1 1/4" TEK) |
|---------------------------|--|--|---|
| 0-15 | 3 | 1 | 2* |
| 20 | 3 | 1 | 2* |
| 25 | 3 | 1 | 2* |
| 30 | 3 | 1 | 2* |
| 40 | 4 | 1 | 2* |
| 50 | 4 | 1 | 2* |
| 60 | 4 | 2* | 2* |
| 70 | 2 | 1 | 1 |
| 80 | 2 | 1 | 1 |
| 90 | 2 | 1 | 2* |

* Place additional clips at corners for a total of 8 clips, when using the 1" clip where substrate requires 2 screws per clip. (Alternatively, use the 2" clips to maintain total 4 clips per unit.)

2" CLIP:

| HEIGHT ABOVE GROUND (FT.) | NUMBER OF SCREWS PER CLIP TO HOUSING OF A/C (GALV. 1/4" TEK) | NUMBER OF SCREWS PER CLIP INTO CONCRETE (1/4" X 2" TAPCON) | NUMBER OF SCREWS PER CLIP INTO ALUM. RACK SUPPORT (1/4" X 1 1/4" TEK) |
|---------------------------|--|--|---|
| 0-15 | 3 | 1 | 2 |
| 20 | 3 | 1 | 2 |
| 25 | 3 | 1 | 2 |
| 30 | 3 | 1 | 2 |
| 40 | 3 | 1 | 2 |
| 50 | 3 | 1 | 2 |
| 60 | 3 | 1 | 2 |
| 70 | 2 | 1 | 1 |
| 80 | 2 | 1 | 1 |
| 90 | 2 | 1 | 1 |

TABLE OF CLIP ATTACHMENT TO SUPPORTING STRUCTURE OR A/C UNIT (146 MPH) - 4 CLIPS PER UNIT

| HEIGHT ABOVE GROUND (FT.) | NUMBER OF SCREWS PER CLIP TO HOUSING OF A/C (GALV. 1/4" TEK) | NUMBER OF SCREWS PER CLIP INTO CONCRETE (1/4" X 2" TAPCON) | NUMBER OF SCREWS PER CLIP INTO ALUM. RACK SUPPORT (1/4" X 1 1/4" TEK) |
|---------------------------|--|--|---|
| 0-15 | 3 | 1 | 2 |
| 20 | 3 | 1 | 2 |
| 25 | 3 | 1 | 2 |
| 30 | 3 | 1 | 2 |
| 40 | 4 | 1 | 2 |
| 50 | 4 | 2** | 2 |
| 60 | 4 | 2** | 2 |
| 70 | 2 | 1 | 1 |
| 80 | 2 | 1 | 1 |
| 90 | 2 | 1 | 2 |

**Place additional clips at corners for a total of 8 clips, when using 2" clips into concrete and 2 screws per clip are required. (Alternatively, use 8 total 1" clips per unit.)

NOTES:

1. ABOVE CHART DENOTES NUMBER OF SCREWS PER CLIP, ASSUMING 4 CLIPS PER UNIT, EXCEPT WHERE INDICATED ABOVE. WHERE MORE THAN 1 ANCHOR PER CLIP IS REQUIRED INTO THE SUBSTRATE, USE ADDITIONAL CLIPS OR USE THE 2" CLIP.
2. FOR STEEL SUPPORTING STRUCTURES, USE SELF DRILLING GALV. 1/4" X 1 1/4" SCREWS AND QUANTITIES REQUIRED ABOVE NOTED FOR ALUMINUM RACK SCREWS.
3. SPACING OF SCREWS IN A/C HOUSING SHALL BE A MINIMUM OF 1 IN.
4. STAINLESS STEEL SCREWS MAY BE USED WHERE REQUIRED BY GOVERNING AGENCY

GENERAL NOTES:

1. DESIGN CALCULATIONS WERE BASED ON THE FLORIDA BUILDING CODE 2007 WITH 2009 AMENDMENTS AND ASCE 7-05 CH. 16 FOR WIND LOADS AND VELOCITIES OF 146 MPH AND 155 MPH, AN IMPORTANCE FACTOR OF I=1 AND EXPOSURE C AS CRITICAL WERE USED IN THE DESIGN.
2. A/C UNIT MAXIMUM SIZE: 4 FT X 4 FT X 4 FT. MINIMUM WEIGHT OF 150 LBS.
3. ALL SCREWS USED TO ATTACH CLIP SHALL BE GALVANIZED A307, SELF DRILLING WITH A MINIMUM HEAD DIAMETER OF 0.3125 IN. SCREWS SHALL BE DRILLED TIGHT, NOT OVER TIGHTENED.
4. TAPCONS USED TO ATTACH CLIP TO CONCRETE SHALL BE APPROVED WITH A RATED TENSILE STRENGTH OF 460 LBS WITH A MINIMUM EMBEDMENT OF 1 3/4 IN, MINIMUM EDGE DISTANCE OF 2.5", AND MINIMUM CENTER TO CENTER DISTANCE OF 3".
5. WHEN UNIT IS SUPPORTED BY WOOD USE #10 WOOD SCREWS WITH A MINIMUM 1 1/2 IN EMBEDMENT
6. SCREWS AT THE BOTTOM OF CLIP ATTACHMENT TO SUPPORTING STRUCTURE REQUIRE WASHERS OF 14 GA. STEEL MINIMUM WITH A YIELD STRENGTH OF 33 KSI.
7. CLIPS SHALL BE MANUFACTURED OUT OF MINIMUM 39 KSI STEEL THAT IS G90 GALVANIZED OR STAINLESS STEEL.
8. UNIT SIZES MAY INCREASE TO 6 FT X 6 FT X 6 FT AND REQUIRE TWO (2) CLIPS AT CORNERS AND MAY NOT BE HIGHER THAN 15 FT FROM GRADE.
9. #12 GALV. SELF DRILLING SCREWS MAY BE USED ON UNITS WHICH ARE INSTALLED NO HIGHER THAN 40 FT FROM GRADE FOR WIND VELOCITY ZONES ARE 146 MPH OR LESS.
10. INSTALLATION ANCHORS SHALL BE INSTALLED IN ACCORDANCE WITH ANCHOR MANUFACTURER'S INSTALLATION INSTRUCTIONS, AND ANCHORS SHALL NOT BE USED IN SUBSTRATES WITH STRENGTHS LESS THAN THE MINIMUM STRENGTH SPECIFIED BY THE ANCHOR MANUFACTURER.
11. INSTALLATION ANCHOR CAPACITIES FOR PRODUCTS HEREIN ARE BASED ON SUBSTRATE MATERIALS WITH THE FOLLOWING PROPERTIES:
 - A. WOOD - MINIMUM SPECIFIC GRAVITY OF 0.55.
 - B. CONCRETE - MINIMUM COMPRESSIVE STRENGTH OF 2700 PSI.
 - C. ALUMINUM - MINIMUM 6061-T6 ALLOY (MINIMUM WALL THICKNESS OF 0.125")
 - D. STEEL - MINIMUM YIELD STRENGTH OF 33 KSI. MINIMUM WALL THICKNESS OF 33 MILLS.
12. CLIPS CAN ALSO BE SUPPLIED IN A POWDER-COATED FINISH
13. INSTALLATION ANCHORS AND ASSOCIATED HARDWARE MUST BE MADE OF CORROSION RESISTANT MATERIAL OR HAVE A CORROSION RESISTANT COATING. DISSIMILAR MATERIALS MUST BE SEPARATED OR COATED IN ACCORDANCE WITH FBC SECTION 2003.8.4.

BMP INTERNATIONAL, INC.

BMP INTERNATIONAL, INC.
4710 28TH STREET N.
ST. PETERSBURG, FL 33714
PH: 727.458.0544

TITLE:
A/C HOLD DOWN CLIP
INSTALLATION &
GENERAL NOTES

PREPARED BY:
CERTWORKS, LLC
127 W. FAIRBANKS AVE., STE. 438
WINTER PARK, FL 32789
PH: (407) 644-6957 FX: (407) 644-2366

REVISIONS

| NO. | DESCRIPTION | BY | DATE |
|-----|-------------|----|------|
| | | | |
| | | | |
| | | | |

DATE: 06.30.10
DWN BY: JLA
CHK BY: KSD
SCALE: NTS

DWG #: BMP003
SHEET: 2 OF 2