



Snap-Rite
Manufacturing, Inc.

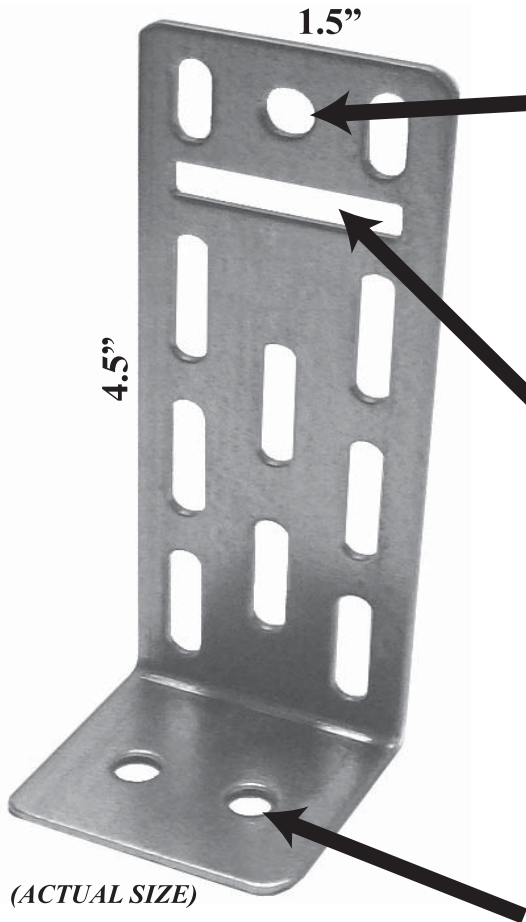
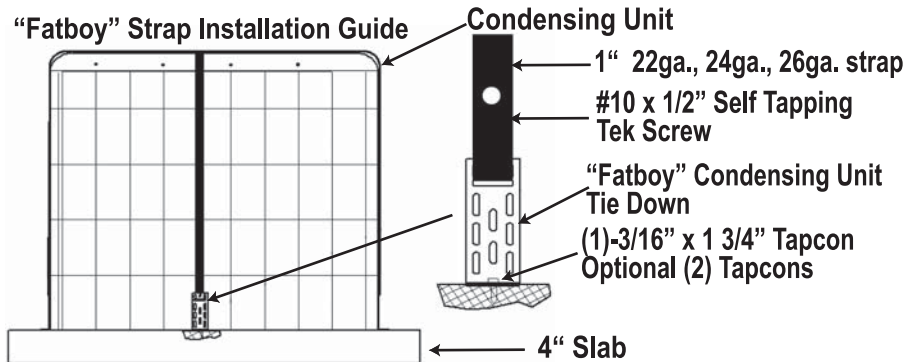
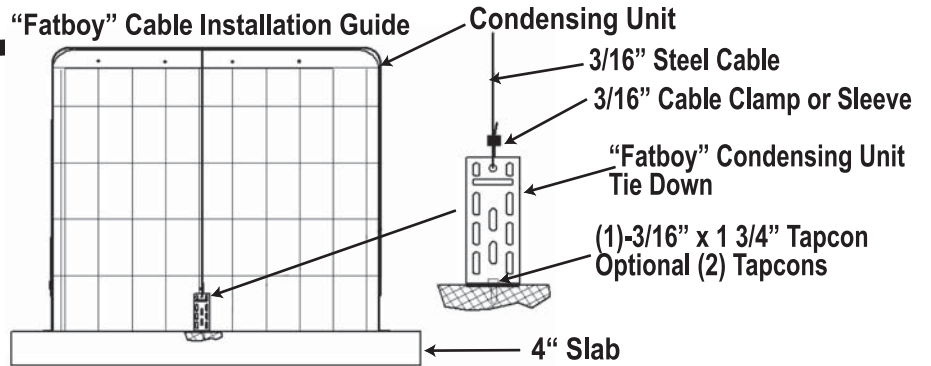
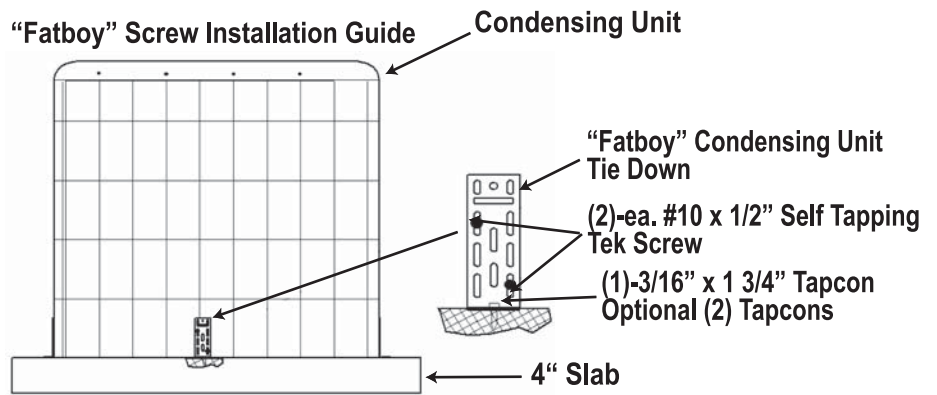
Snap-Rite Mfg. Inc.
PO.Box 577
Coats, NC. 27521
PH: 910-897-4080
FX: 910-897-6662
www.snaprite.com

UNIVERSAL TIE DOWN ENGINEERED FOR FLORIDA INSTALLATION

The new Patent Pending "FATBOY" Condensing Unit Tie Down is truly unique. Its universal design is unequaled. The "Fatboy" can be installed as a standard screw installation or as a 3/16" cable installation or a 1" hanging strap installation. Making the "Fatboy" the only truly universal Tie Down in the industry. Engineered Exclusively for Florida. Engineering reports are included in all cable and strap kits.

- FBTD Pegboard 4 Pak
- FBTDB Bulk 100 pcs.
- FBTDC Cable Kit
- FBTDS Strap Kit

14 GAUGE THICKNESS



DUAL TAPCON HOLES