



WhisperWarm™

VENTILATION FAN

FV-11VH2, FV-11VHL2

Welcome to the next generation of WhisperWarm™ ventilation fans. Panasonic has found ways to improve upon this impressive fan/heat configuration. Now they're easier to install, are more lightweight and have a smaller housing. What's more, they're quieter than their predecessors with reduced sound levels. And lastly, we've streamlined them with a more cosmetically pleasing look. We think you'll be pleased with the new WhisperWarm line—
an already great product that just got better.

- Extremely quiet operation
- Quick one minute warm up
- Newly-designed contemporary grille
- Easy to install with 24" hanger bar on center joist



FV-11VH2
Fan/Heat



FV-11VHL2
Fan/Heat/Light/Night Light

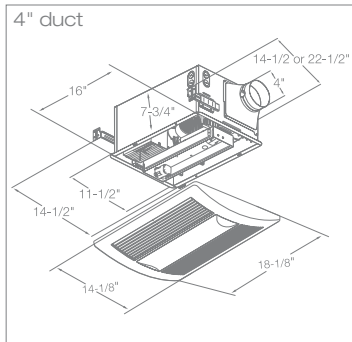
Panasonic ideas for life



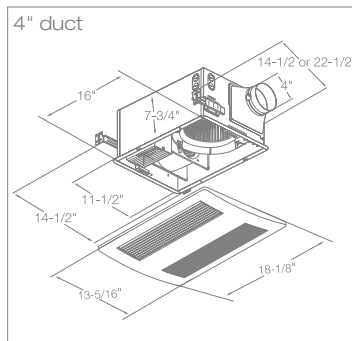
FV-11VH2, FV-11VHL2

We're proud to feature **concentrated heat** — our grilles are now structured in such a way that affords the user a stronger blast of air focused in one area for intensified warmth.

- 3 year warranty
- Rustproof paint treatment on galvanized housing
- Built in damper to prevent backdraft
- Thermal fuse protection on motor and 3-level safety device for heater



FV-11VHL2



FV-11VH2



WhisperWarm™		FV-11VH2	FV-11VHL2		
Characteristics (HVI Certified Data for 0.1" S.P.)	Static Pressure in inches w.g.	0.1	0.25	0.1	0.25
	Air Volume (CFM)	110	89	110	89
	Noise (sones)	0.6	N/A	0.7	N/A
	Power Consumption (watts)	30.7	30.5	30.6	30.5
	Energy Efficiency (CFM/Watt)	3.6	2.9	3.6	2.9
	Speed (RPM)	778	935	812	956
	Current (amps)	0.25	0.25	0.25	0.25
Specifications	Power Rating (V/Hz)	120/60		120/60	
	Motor Type	Condenser		Condenser	
	Type of Motor Bearing	Ball		Ball	
	Thermal Fuse Protection	Yes		Yes	
	Blower Wheel Type	Sirocco		Sirocco	
Installation	ENERGY STAR Qualified	N/A		N/A	
	Duct Diameter (Inches)	4		4	
	Mounting Opening (Inches sq.)	17-3/8 x 12-5/8		17-3/8 x 12-5/8	
Light Specifications	Grille Size (Inches)	18-1/8L x 13-5/16W		18-1/8L x 14-1/8W	
	Lamp Watts	N/A		2 x 18W	
	Color Rendering Index	N/A		84	
	Color Temperature (Kelvin)	N/A		3500	
	Rated Life (hours)	N/A		10,000	
Night Light Specs	Lamp Model #	N/A		FDS18E35/4	
	Night Light Watts	N/A		4	
Heater	Stainless Steel Sheathed Element	Yes		Yes	
	Directional Louver	N/A		N/A	
	Heating Element (Watts)	1400		1400	
	Blower Fan (CFM)	90		90	
Combined	Blower Fan (Watts)	25		25	
	Amps	12.2		12.5	
Approved Code/Standard/Regulation	Gross Weight (lbs)	20.1		22.7	
	Shipping	20.1		22.7	
	UL tub/Shower Enclosure	N/A		N/A	
	Washington VIAQ Code	Yes		Yes	
Approved Code/Standard/Regulation	California Title 24 Compliant	Yes		Yes	
	Mfg in ISO 9001 Certified Facility	Yes		Yes	

FV-11VHL2 includes:

- Two 18 Watt Panasonic flicker free compact fluorescent lamps. Equivalent to 100 Watt incandescent lighting / Electronic ballast / 3500 Kelvin / 1200 Lumens each / 10,000 hours rated life
- 4-Watt night-light
- California Title 24 Compliant

Minimum 20 Amp dedicated circuit recommended.

For optimum performance, install heater no more than 8 feet from floor to ceiling.



Panasonic ideas for life

Panasonic Home & Environment Company Unit of Panasonic Corporation of North America

Headquarters

Panasonic Home & Environment Company
One Panasonic Way
Secaucus, NJ 07094

Customer Service

Panasonic Home & Environment Company
5201 Tollview Road
Rolling Meadows, IL 60008

For Order Information:

PHONE: 866-292-7299; FAX: 888-553-0723

For Customer Call Center:

PHONE: 866-292-7292

www.panasonic.com/building



Printed with soy ink on 10% post-consumer recycled paper.

Design and specifications subject to change without notice.

VF080179SSr